

4

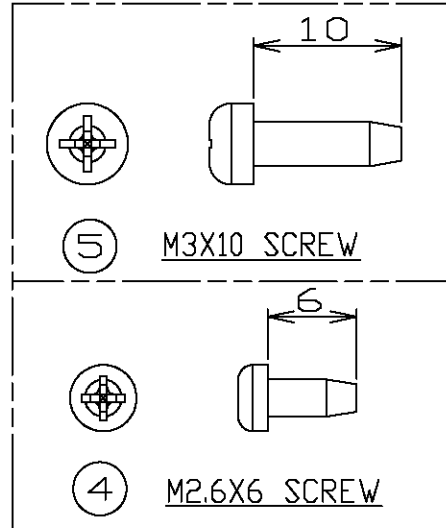
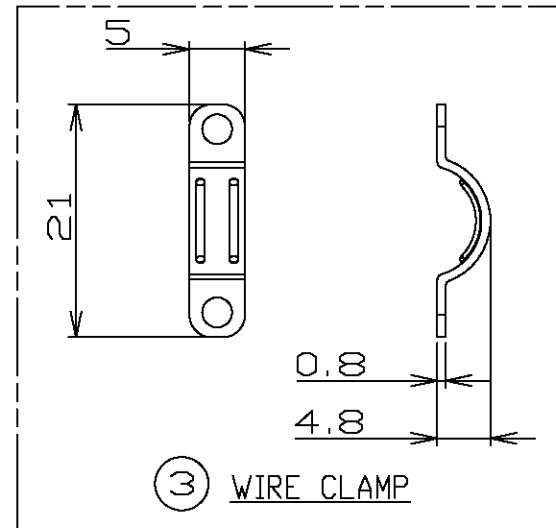
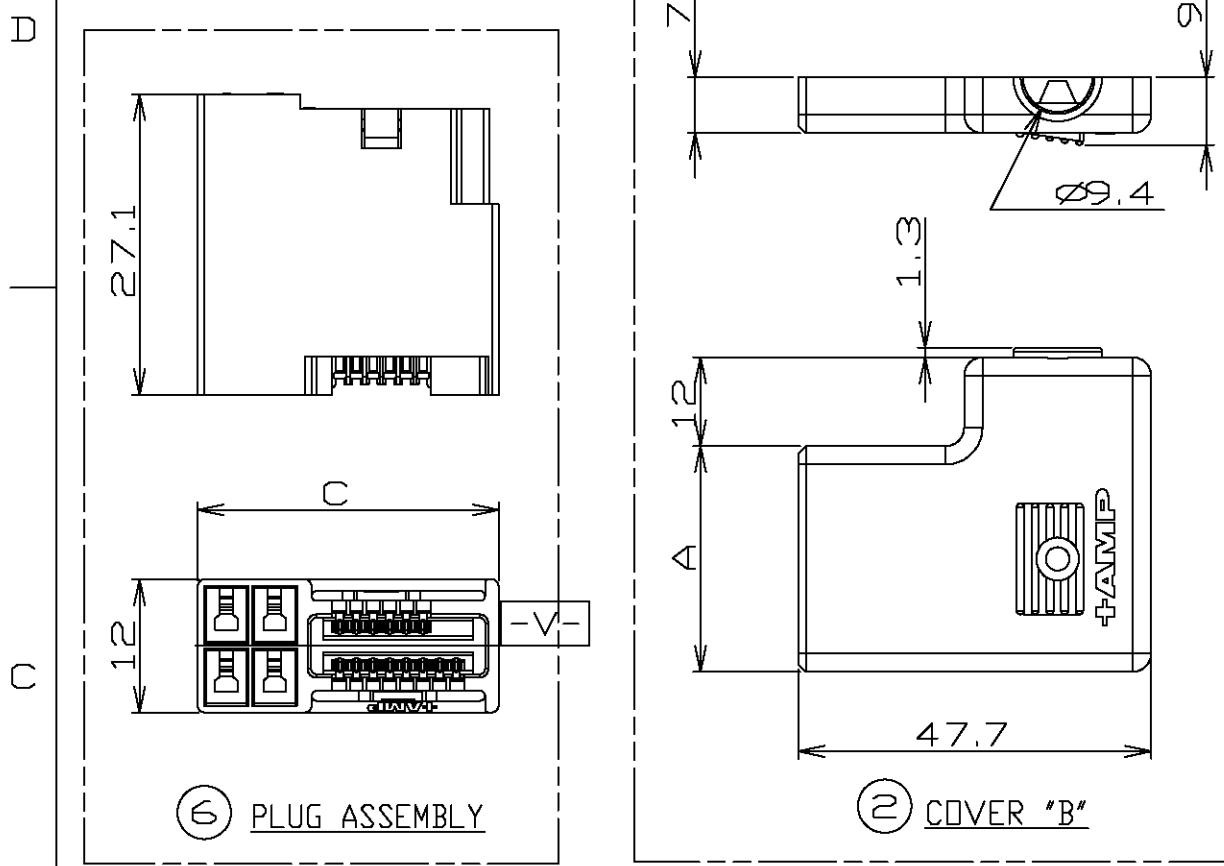
3

2

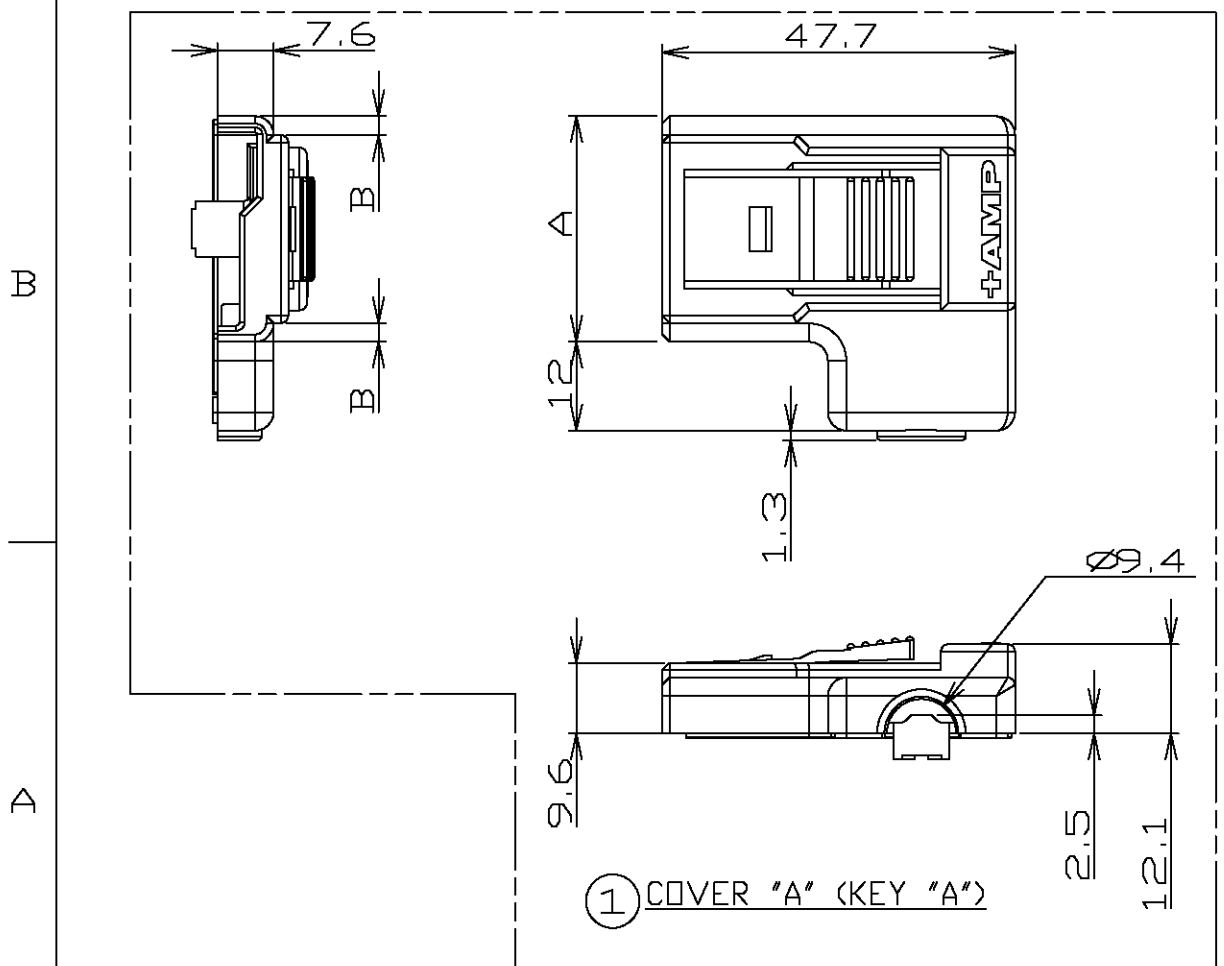
1

THIS DRAWING IS UNPUBLISHED. RELEASED FOR PUBLICATION  
© COPYRIGHT BY TYCO ELECTRONICS CORPORATION. ALL RIGHTS RESERVED.

LOC ES	DIST 00	REVISIONS		
P	LTR	DESCRIPTION	DATE	DWN
	A	REVISED FB00-0217-04	16DEC04	H.H
				APVD I.E



NOTES: THIS IS LEAD-FREE P/N.

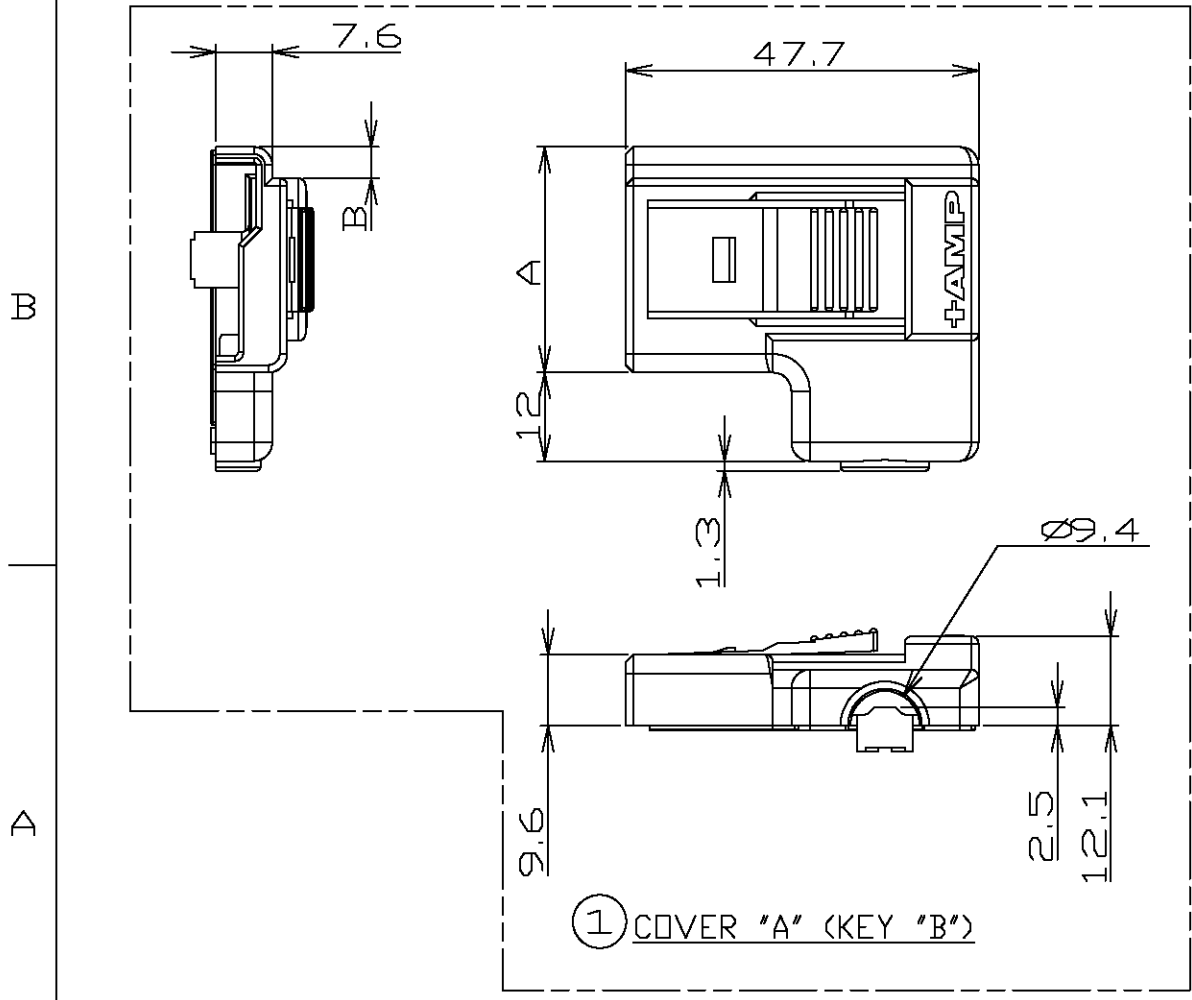
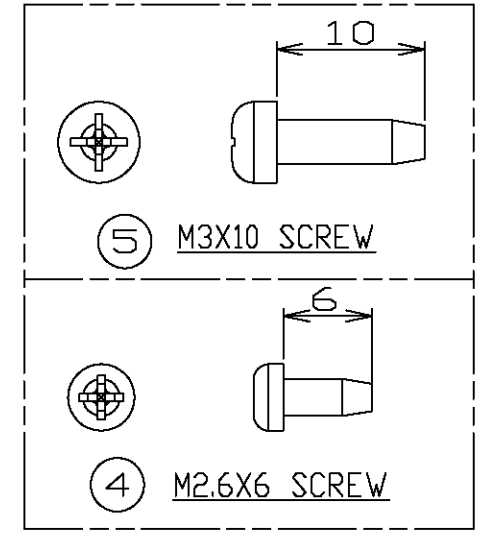
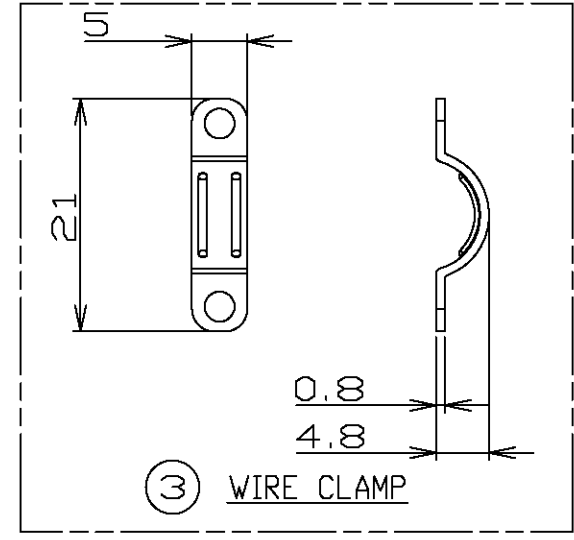
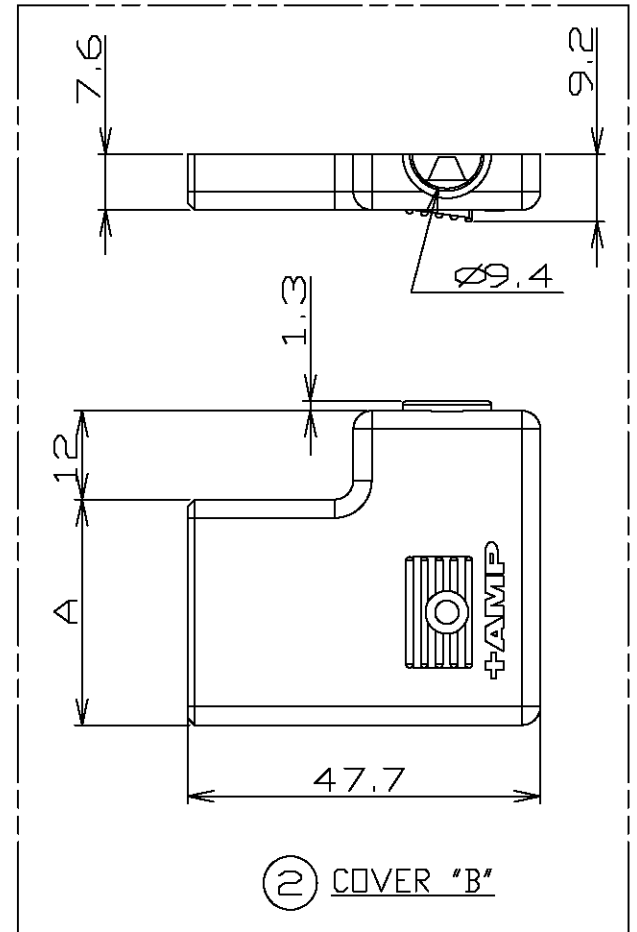
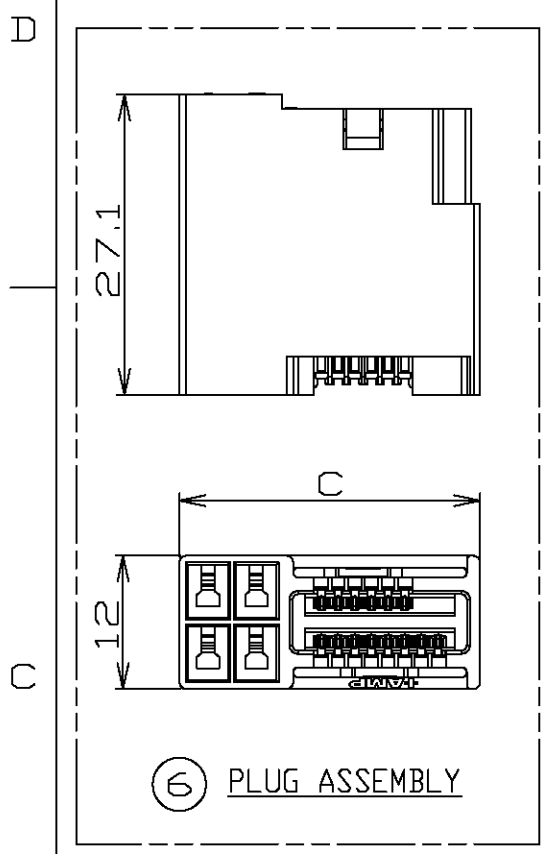


DIMENSIONS			QTY	MATERIAL & FINISH	DESCRIPTION	PART NUMBER	ITEM	KEY TYPE	PART NUMBER
27.1	—	—	1	THERMOPLASTIC, UL94V-0 COLOR: GRAY	PLUG ASSEMBLY, 14P	1-292245-4	⑥	A	1-292248-4
—	—	—	1	STEEL, ZINC PLATED	TAPTITE SCREW, P-TITE M3X10	292264-1	⑤		
—	—	—	2	STEEL, ZINC PLATED	TAPTITE SCREW, P-TITE M2.6X6	292263-1	④		
—	—	—	1	STEEL, ZINC PLATED	WIRE CLAMP	292265-1	③		
—	—	30.5	1	THERMOPLASTIC, UL94-HB, COLOR: GRAY	COVER "B", 14P	1-1123914-4	②		
—	2.55	30.5	1	THERMOPLASTIC, UL94-HB COLOR: GRAY	COVER "A", 14P, KEY "A"	1-1123913-4	①		

<small>THIS DRAWING IS A CONTROLLED DOCUMENT FOR TYCO ELECTRONICS CORPORATION IT IS SUBJECT TO CHANGE AND THE CONTROLLING ENGINEERING ORGANIZATION SHOULD BE CONTACTED FOR THE LATEST REVISION.</small>		DWN J.JIANG 05FEB03 CHK S.YAO 05FEB03 APVD T.SASAKI 05FEB03	<b>tyco</b> <b>Electronics</b> Tyco Electronics Corporation Shanghai, P.R.China, 200233
DIMENSIONS: mm 	TOLERANCES UNLESS OTHERWISE SPECIFIED: 0 PLC ± 1 PLC ± 2 PLC ± 3 PLC ± 4 PLC ± ANGLES ±	PRODUCT SPEC 108-60028 APPLICATION SPEC 114-5256 WEIGHT CUSTOMER DRAWING	NAME <b>CABLE CLAMP KIT          FOR AMP 1.5mm PITCH MINI CT          HYBRID LATTICE CONNECTOR</b> SIZE A3 CAGE CODE 00779 DRAWING NO C-292248 RESTRICTED TO - SCALE NON SHEET 1 OF 3 REV A

THIS DRAWING IS UNPUBLISHED. RELEASED FOR PUBLICATION  
 © COPYRIGHT BY TYCO ELECTRONICS CORPORATION. ALL RIGHTS RESERVED.

LOC	DIST	REVISIONS		
ES	00	P	LTR	DESCRIPTION
				DATE
				DWN
				APVD
		SEE SHEET 1		

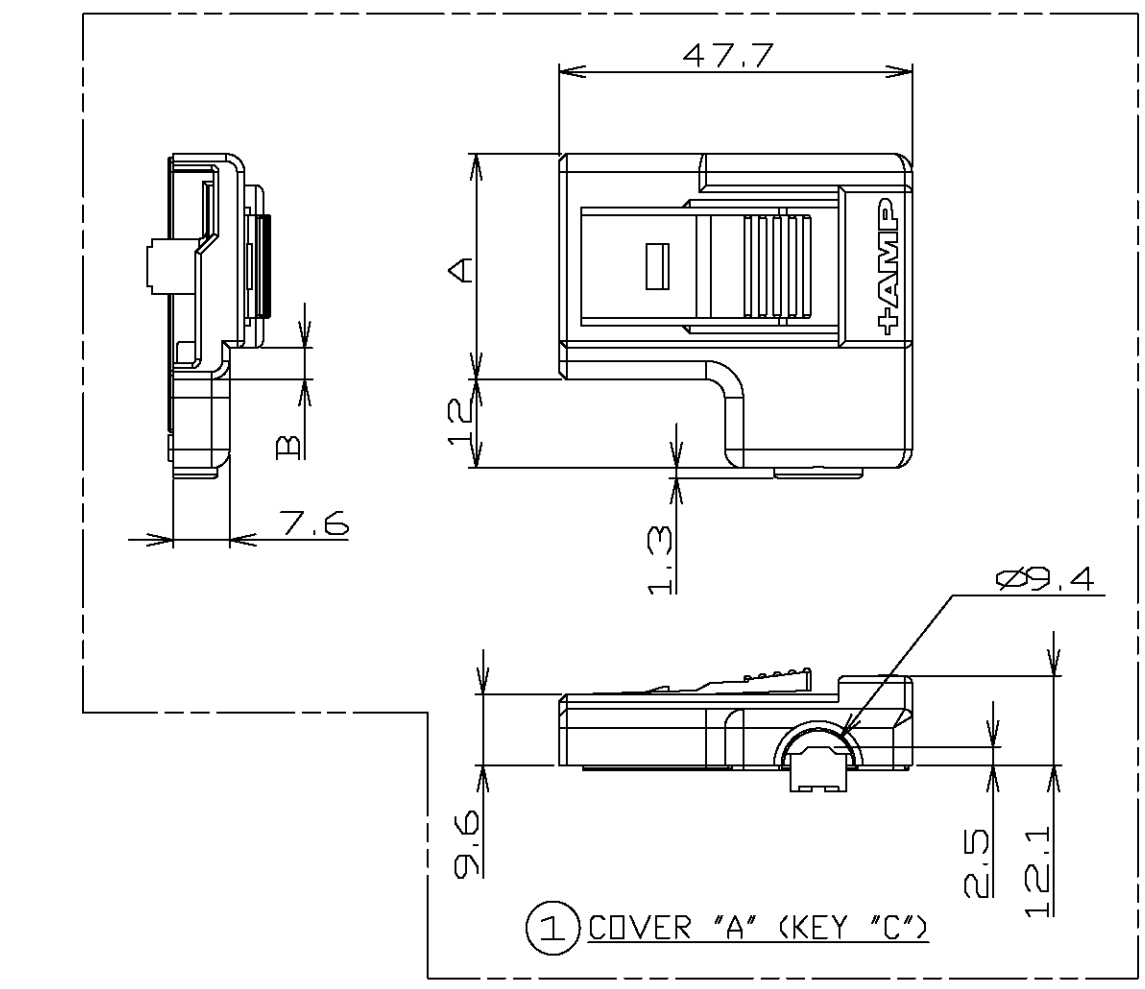
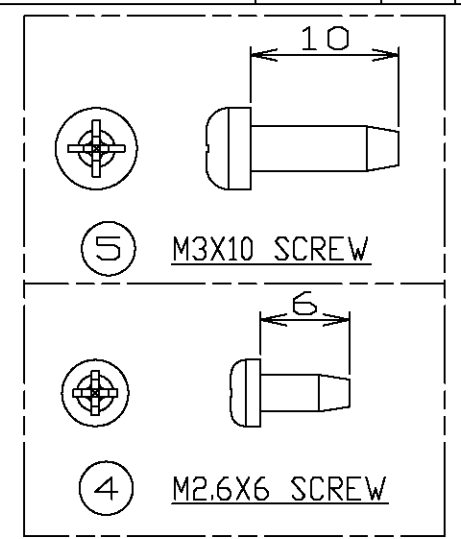
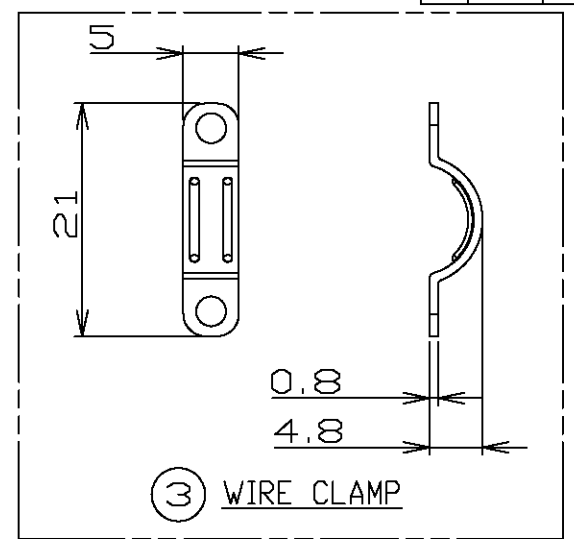
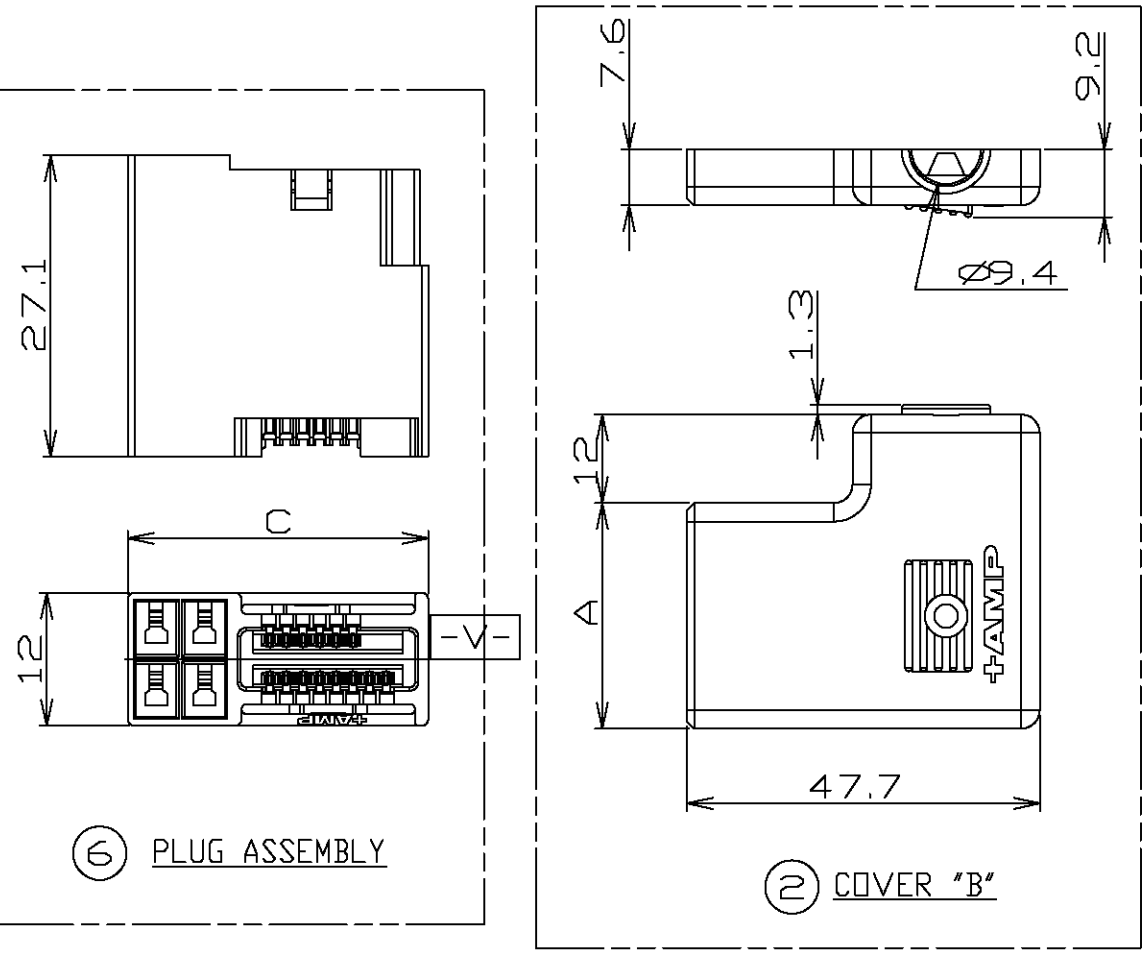


DIMENSIONS			QTY	MATERIAL & FINISH	DESCRIPTION	PART NUMBER	ITEM	KEY TYPE	PART NUMBER
27.1	—	—	1	THERMOPLASTIC, UL94V-0 COLOR: GRAY	PLUG ASSEMBLY, 14P	1-292245-4	⑥		
—	—	—	1	STEEL, ZINC PLATED	TAPTITE SCREW, P-TITE M3X10	292264-1	⑤		
—	—	—	2	STEEL, ZINC PLATED	TAPTITE SCREW, P-TITE M2.6X6	292263-1	④	B	3-292248-4
—	—	—	1	STEEL, ZINC PLATED	WIRE CLAMP	292265-1	③		
—	—	30.5	1	THERMOPLASTIC, UL94-HB, COLOR: GRAY	COVER "B", 14P	1-1123914-4	②		
—	4.25	30.5	1	THERMOPLASTIC, UL94-HB COLOR: GRAY	COVER "A", 14P, KEY "B"	3-1123913-4	①		

THIS DRAWING IS A CONTROLLED DOCUMENT FOR TYCO ELECTRONICS CORPORATION IT IS SUBJECT TO CHANGE AND THE CONTROLLING ENGINEERING ORGANIZATION SHOULD BE CONTACTED FOR THE LATEST REVISION.		DWN CHK APVD PRODUCT SPEC APPLICATION SPEC WEIGHT CUSTOMER DRAWING		<b>tyco</b> Electronics Tyco Electronics Corporation Shanghai, P.R.China, 200233	
DIMENSIONS: mm 		TOLERANCES UNLESS OTHERWISE SPECIFIED: 0 PLC ± 1 PLC ± 2 PLC ± 3 PLC ± 4 PLC ± ANGLES ±		NAME CABLE CLAMP KIT FOR AMP 1.5mm PITCH MINI CT HYBRID LATTICE CONNECTOR	
MATERIAL SEE TABLE		FINISH SEE TABLE		SIZE CAGE CODE DRAWING NO A3 00779 C-292248	
		RESTRICTED TO		SCALE NON SHEET 2 OF 3 REV A	

THIS DRAWING IS UNPUBLISHED. RELEASED FOR PUBLICATION  
 © COPYRIGHT BY TYCO ELECTRONICS CORPORATION. ALL RIGHTS RESERVED.

LOC	DIST	REVISIONS		
ES	00	P	LTR	DESCRIPTION
				DATE
				DWN
				APVD
		SEE SHEET 1		



DIMENSIONS			QTY	MATERIAL & FINISH	DESCRIPTION	PART NUMBER	ITEM	KEY TYPE	PART NUMBER
27.1	—	—	1	THERMOPLASTIC, UL94V-0 COLOR: GRAY	PLUG ASSEMBLY, 14P	1-292245-4	⑥	C	5-292248-4
—	—	—	1	STEEL, ZINC PLATED	TAPTITE SCREW, P-TITE M3X10	292264-1	⑤		
—	—	—	2	STEEL, ZINC PLATED	TAPTITE SCREW, P-TITE M2.6X6	292263-1	④		
—	—	—	1	STEEL, ZINC PLATED	WIRE CLAMP	292265-1	③		
—	—	30.5	1	THERMOPLASTIC, UL94-HB, COLOR: GRAY	COVER "B", 14P	1-1123914-4	②		
—	4.25	30.5	1	THERMOPLASTIC, UL94-HB COLOR: GRAY	COVER "A", 14P, KEY "C"	5-1123913-4	①		

THIS DRAWING IS A CONTROLLED DOCUMENT FOR TYCO ELECTRONICS CORPORATION. IT IS SUBJECT TO CHANGE AND THE CONTROLLING ENGINEERING ORGANIZATION SHOULD BE CONTACTED FOR THE LATEST REVISION.

DIMENSIONS: mm	TOLERANCES UNLESS OTHERWISE SPECIFIED:	DWN	Tyco Electronics Corporation Shanghai, P.R.China, 200233
	0 PLC ±	CHK	
	1 PLC ±	APVD	
	2 PLC ±	PRODUCT SPEC	
MATERIAL	FINISH	WEIGHT	NAME <b>CABLE CLAMP KIT FOR AMP 1.5mm PITCH MINI CT HYBRID LATTICE CONNECTOR</b>
SEE TABLE	SEE TABLE	CUSTOMER DRAWING	SIZE: A3 CAGE CODE: 00779 DRAWING NO: C-292248 RESTRICTED TO:

SCALE: NON SHEET 3 OF 3 REV A